

MR型方形氣壓缸

MR series block cylinder



特性:

- 節省安裝空間。
- 提高安裝精度及強度。
- 直接安裝不需要配件。
- 空氣緩衝。

Features:

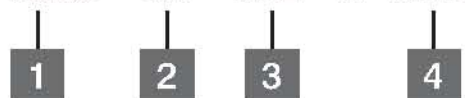
- Space saving configuration.
- Improved installation accuracy and strength.
- Directly mounted style without using brackets.
- With air cushion.

相關規格 / Specification

氣缸內徑	Bore size	20 mm	25 mm	32 mm	40 mm
Speed range		30-800 mm/s			
入出口尺寸	Port size	PT1/8"	PT1/8"	PT1/8"	PT1/8"
作動方式	Action	Double acting type			
使用流體	Fluid	Air			
受壓面積	Pressure range bar	1-9 kgf/cm ²			
測試壓力	Proof range bar	13.5 kgf/cm ²			
溫度範圍	Temperature range	0°C - 70°C			
緩衝型式	Cushion type	Rubber Type (Air cushion option)			

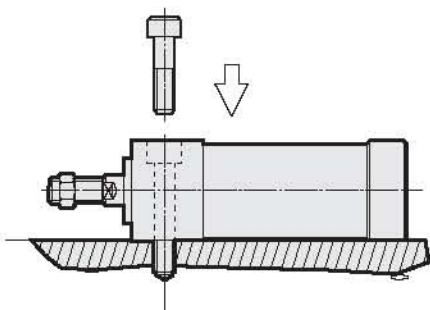
訂購標示法 / Order Code

MR- A 32 x 125

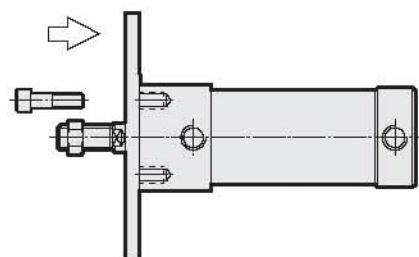


1. 型號 / Model Code: MR, MRF Type
2. 型式 Style Code :
 - “ ”: 無磁環 None Magnet
 - A: 附磁環 With Magnet
 - A1: 附1個感應器 With 1 Proximity Switch
 - A2: 附2個感應器 With 2 Proximity Switch
3. 氣缸內徑 / Bore Size(mm)
4. 氣缸行程 / Stroke Length(mm)

●MR-Type 徑向安裝



●MRF-Type 軸向安裝

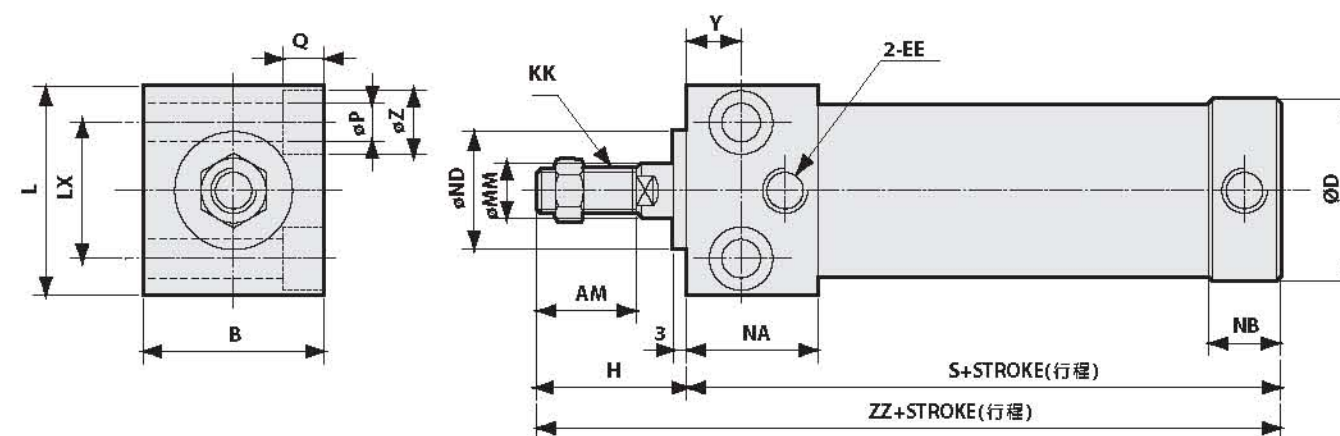


MR型方形氣壓缸 MR series block cylinder

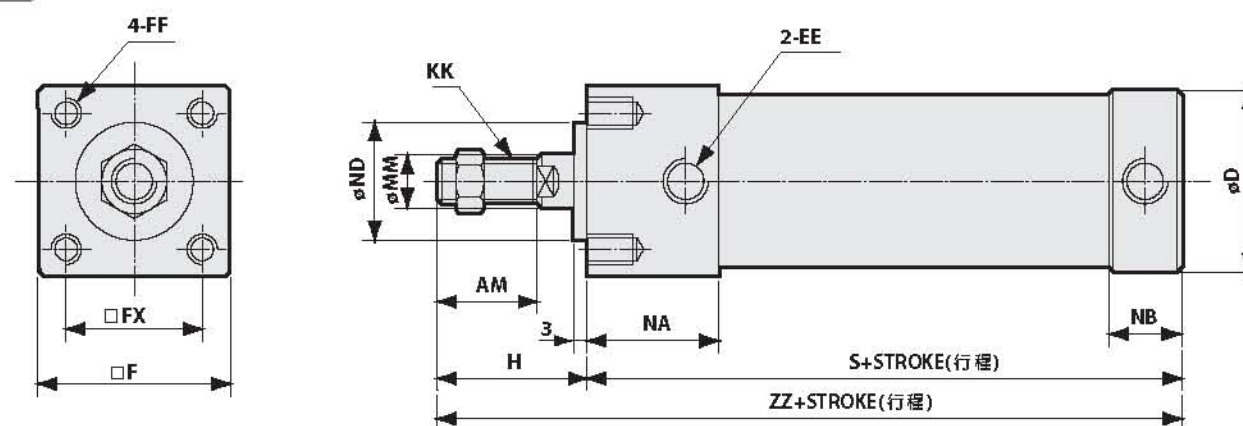
MR / MRF - Type



MR



MRF



Unit : mm

Bore	B	KK	L	LX	H	Q	øZ	øP	øND	NA
ø20	30.5	M8x1.25	33	21	28	6	9.5	5.5	20	29
ø25	36.3	M10x1.25	39	25	32	7	11	6.5	26	29
ø32	42.3	M10x1.25	47	30	32	9	14	8.5	26	29
ø40	52.3	M14x1.25	58.5	38	34	11	17	10.5	32	38

Bore	EE	Y	FF	ZZ	S	NB	øD	FX	F	AM	øMM
ø20	PT1/8"	12	M5x0.8 DP8	107	79	16	28	22	30.4	18	10
ø25	PT1/8"	12	M6x1.0 DP10	113	81	16	34	26	36.4	22	12
ø32	PT1/8"	12	M6x1.0 DP10	113	81	16	38	30	42.4	22	12
ø40	PT1/8"	15	M8x1.5 DP13	142	108	22	49	36	52.4	24	16