

M型圓形鋁合金氣缸



M series air cylinder



特性:

- M 系列是鋁合金圓形氣缸。安裝簡單容易，可追加磁環，內徑32-50 mm可追加空氣緩衝。

Features :

- M series aluminium air cylinder have round end cover which are screwed onto the cylinder tube.

相關規格 / Specification

| | | | | | | | |
|--------|-------------------|--|--------|--------|--------|--------|--------|
| 氣缸內徑 | Bore size | 16 mm | 20 mm | 25 mm | 32 mm | 40 mm | 50 mm |
| 可調緩衝距離 | Speed range | 30-800 mm/s | | | | | |
| 出入口尺寸 | Port size | M5 | PT1/8" | PT1/8" | PT1/8" | PT1/4" | PT1/4" |
| 作動方式 | Action | Double acting type | | | | | |
| 使用流體 | Fluid | Air | | | | | |
| 緩衝型式 | Cushion type | 可調空氣緩衝 Rubber & Air Cushion With Request | | | | | |
| 測試壓力 | Proof range bar | 14 kgf/cm ² | | | | | |
| 溫度範圍 | Temperature range | -0°C~70°C | | | | | |
| 受壓面積 | Mounting type | 1-9 kgf/cm ² | | | | | |

訂購標示法 / Order Code

M - A 50 x 125 - CA

1 2 3 4 5

- 型式 / Model code:
M 標準型 M series, Standard Type
MU 緩衝型 MU series Air Cushion Type
(Adjusting) (ø20~ø50)
- 型號 / Style Code:
" " - 無 None
A - 附磁環 With Magnet
A1- 磁環+1個開關 Magnet+Limits Switch 1 set
A2- 磁環+2個開關 Magnet+Limits Switch 2 set
- 氣缸內徑 / Bore Size(mm)
- 氣缸行程 / Stroke Length(mm)
- 附件型式 / Mounting Styles :

感應開關 / Limits Switch :

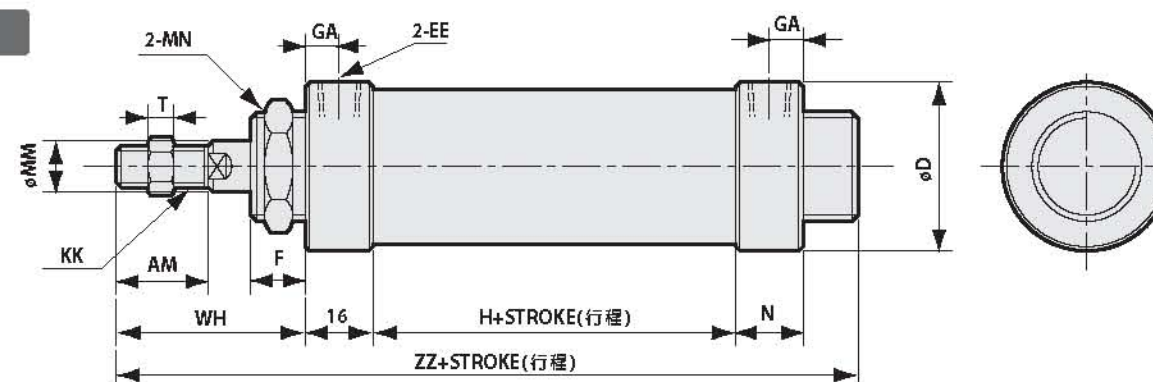


M型圓形鋁合金氣缸 M series air cylinder

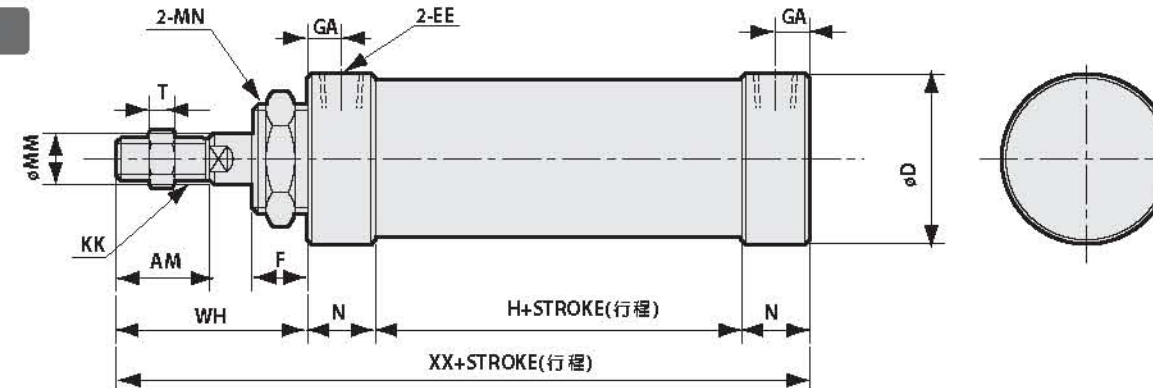


ST / RP / CA - Type

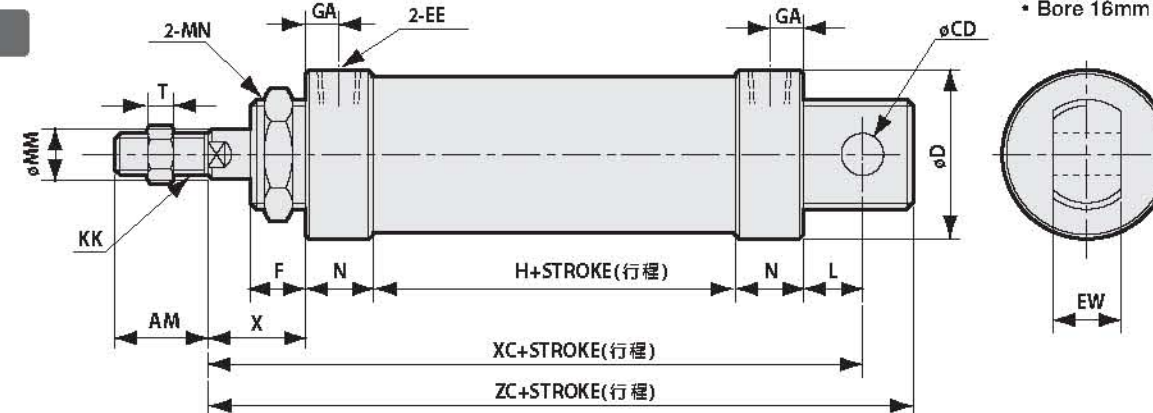
ST



RP



CA



• 內徑16mm只限於此型式。
• Bore 16mm type only.

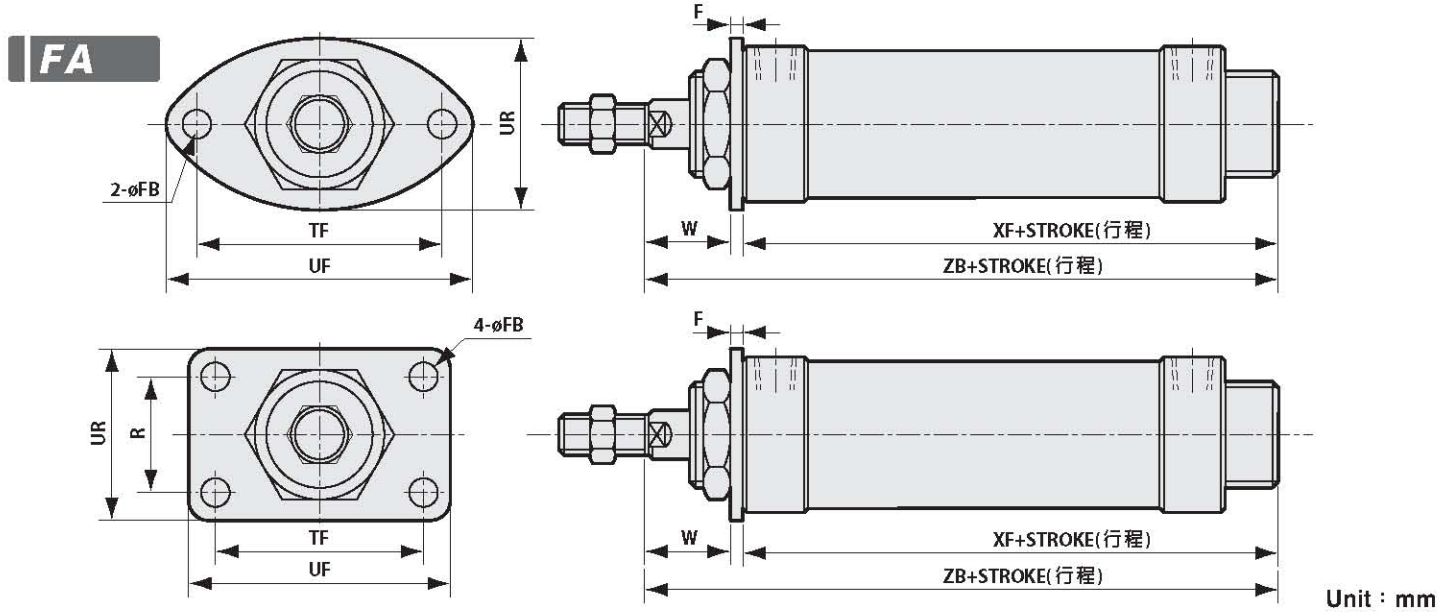
Unit : mm

| Bore | AM | øMM | F | GA | øD | KK | H | N | T | MN | EE | WH | ZZ | XX | X | XC | ZC | øCD | EW | L |
|------|----|-----|----|----|----|----------|----|----|----|-----------|--------|----|-----|-----|----|-----|-----|-----|----|----|
| ø16 | 16 | 6 | 16 | 5 | 21 | M6x1.0 | 37 | 10 | 5 | M16x1.5 | M5 | 36 | - | - | 20 | 86 | 93 | 6 | 12 | 9 |
| ø20 | 18 | 10 | 13 | 8 | 28 | M8x1.25 | 34 | 16 | 6 | M 20 x1.5 | PT1/8" | 41 | 122 | 109 | 23 | 101 | 111 | 8 | 12 | 12 |
| ø25 | 22 | 12 | 13 | 8 | 34 | M10x1.25 | 36 | 16 | 8 | M26x1.5 | PT1/8" | 45 | 126 | 113 | 23 | 103 | 113 | 8 | 16 | 12 |
| ø30 | 22 | 12 | 13 | 8 | 37 | M10x1.25 | 36 | 16 | 8 | M26x1.5 | PT1/8" | 45 | 126 | 113 | 23 | 105 | 117 | 10 | 16 | 14 |
| ø32 | 22 | 12 | 13 | 8 | 39 | M10x1.25 | 36 | 16 | 8 | M26x1.5 | PT1/8" | 45 | 126 | 143 | 23 | 105 | 117 | 10 | 16 | 14 |
| ø40 | 24 | 16 | 16 | 11 | 49 | M14x1.5 | 48 | 22 | 11 | M32x2.0 | PT1/4" | 50 | 158 | 143 | 26 | 134 | 146 | 12 | 20 | 16 |
| ø50 | 24 | 16 | 16 | 11 | 59 | M14x1.5 | 48 | 22 | 11 | M32x2.0 | PT1/4" | 50 | 158 | 143 | 26 | 134 | 146 | 12 | 20 | 16 |

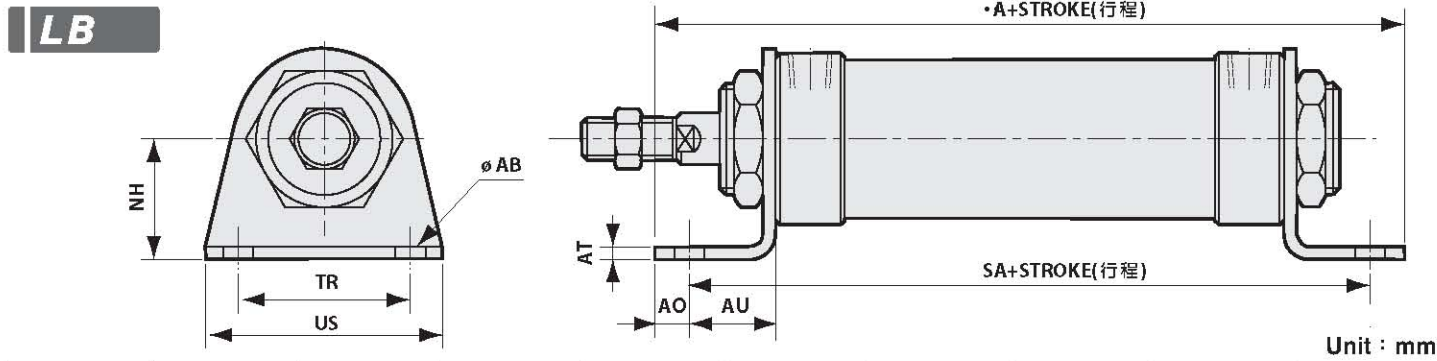
M型圓形鋁合金氣缸 M series air cylinder



FA / LB - Type

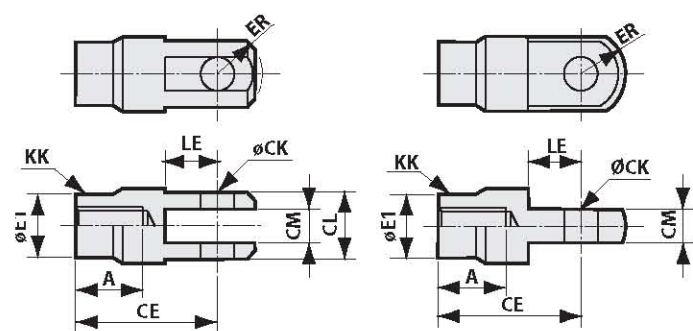


| Bore | F | UR | UF | TF | R | øFB | W | XF | ZB |
|------|-----|----|----|----|----|-----|------|-----|-----|
| ø20 | 3 | 42 | 75 | 60 | - | 7 | 20 | 82 | 102 |
| ø25 | 3 | 42 | 75 | 60 | - | 7 | 20 | 84 | 104 |
| ø30 | 3 | 42 | 75 | 60 | - | 7 | 20 | 84 | 104 |
| ø40 | 4.5 | 52 | 82 | 66 | 36 | 7 | 21.5 | 113 | 134 |



| Bore | NH | US | TR | øAB | AO | AU | AT | SA | ZA |
|------|----|----|----|-----|----|----|----|-----|-----|
| ø20 | 28 | 55 | 40 | 7 | 8 | 20 | 3 | 106 | 122 |
| ø25 | 28 | 55 | 40 | 7 | 8 | 20 | 3 | 108 | 124 |
| ø30 | 28 | 55 | 40 | 7 | 8 | 20 | 3 | 108 | 124 |
| ø40 | 30 | 75 | 55 | 7 | 12 | 23 | 3 | 138 | 162 |

Y型、I軸端接頭尺寸：

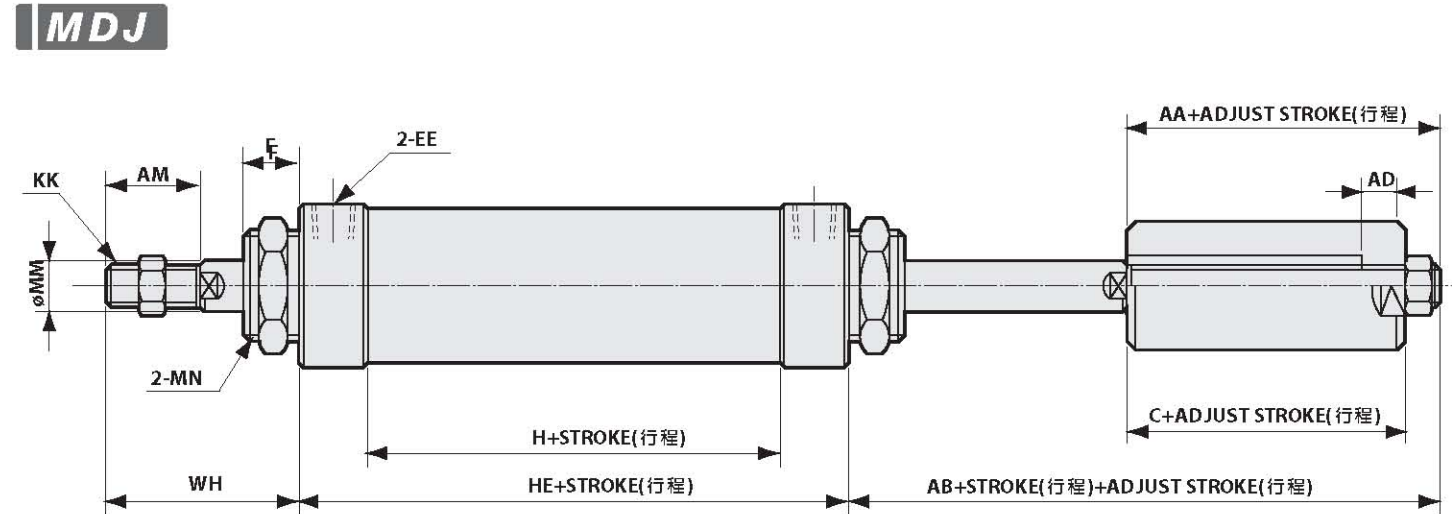
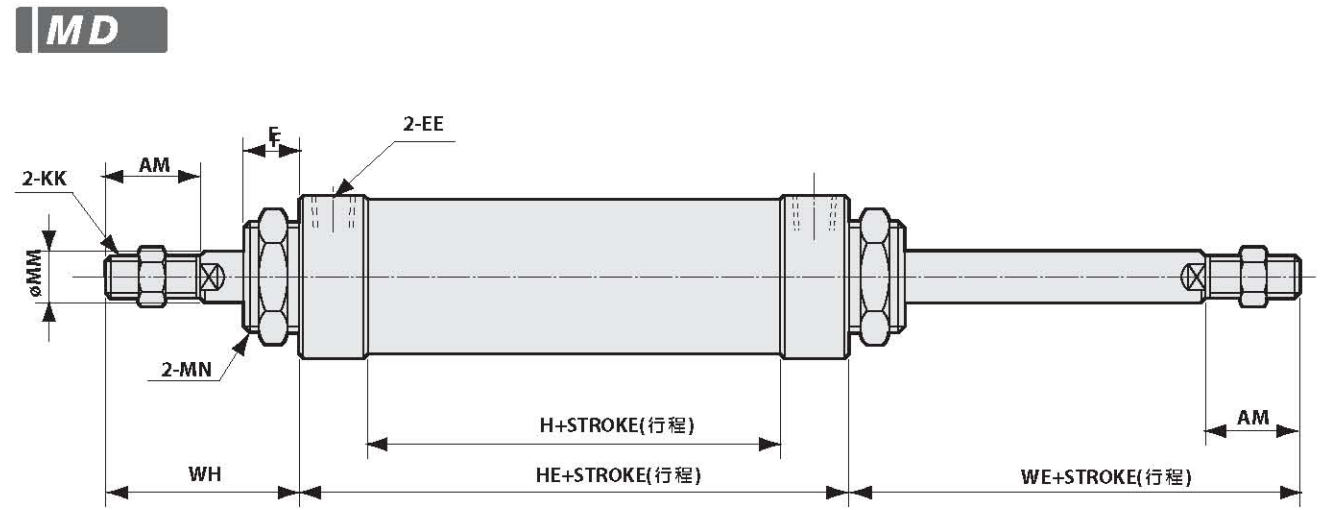


| Bore | A | E1 | CE | KK | ER | LE | øCK | CM | CL |
|------|----|----|----|----------|----|----|-----|----|----|
| ø20 | 16 | 20 | 36 | M8x1.25 | 12 | 14 | 9 | 9 | 18 |
| ø25 | 18 | 20 | 38 | M10x1.25 | 12 | 14 | 9 | 9 | 18 |
| ø30 | 18 | 20 | 38 | M10x1.25 | 12 | 14 | 9 | 9 | 18 |
| ø40 | 22 | 25 | 45 | M14x1.5 | 14 | 15 | 12 | 10 | 22 |

M型圓形鋁合金氣缸 M series air cylinder



MD / MDJ - Type



| Bore | AM | øMM | F | HE | AA | KK | H | AD | AC | MN | EE | WH | AB | WE |
|------|----|-----|----|----|----|----------|----|----|----|---------|--------|----|----|----|
| ø16 | 16 | 6 | 16 | 51 | 16 | M6x1.0 | 37 | 8 | 13 | M16x1.5 | M5 | 36 | 36 | 36 |
| ø20 | 18 | 10 | 13 | 66 | 18 | M8x1.25 | 34 | 10 | 15 | M20x1.5 | PT1/8" | 41 | 41 | 41 |
| ø25 | 22 | 12 | 13 | 68 | 22 | M10x1.25 | 36 | 12 | 17 | M26x1.5 | PT1/8" | 45 | 45 | 45 |
| ø30 | 22 | 12 | 13 | 68 | 22 | M10x1.25 | 36 | 12 | 17 | M26x1.5 | PT1/8" | 45 | 45 | 45 |
| ø32 | 22 | 12 | 13 | 68 | 22 | M10x1.25 | 36 | 12 | 17 | M26x1.5 | PT1/8" | 45 | 45 | 45 |
| ø40 | 24 | 16 | 16 | 92 | 24 | M14x1.5 | 48 | 15 | 20 | M32x2.0 | PT1/4" | 50 | 50 | 50 |
| ø50 | 24 | 16 | 16 | 92 | 24 | M14x1.5 | 48 | 15 | 20 | M32x2.0 | PT1/4" | 50 | 50 | 50 |