

ASC空壓轉角缸

Air swing clamp cylinder



特性:

- 本產品適用於量產零件之專用機及MC治具，提高生產效率最佳幫手。
- 主要功能為空壓缸作動時，活塞下壓行程中壓板會旋轉到設計的角度，再沿著直線繼續下壓直到壓板夾緊工件。
- 建議使用空壓轉角缸，A,B入氣口請加裝流量控制閥，避免速度過快，以及轉角行程中，請勿夾持工件，導致損壞缸體及內部零件。
- 壓板需增加長度時，請勿大於原長之1.5倍。
- 缸體材質採用鋁合金，表面硬膜處理，內壁表面光滑，使用壽命長。

Features:

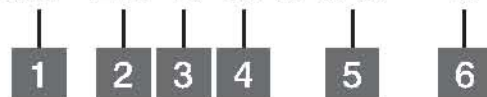
- The product is ideal for mass production on a special purpose machine and jig on machining center. It will greatly upgrade production efficiency.
- When the air cylinder actuate, and the piston moves downward, the clamping arm will swing to a rated angle! Then it lowers until the workpiece is clamped securely.
- To avoid too fast motion a flow control valve is suggested to connect to the air inlet ports (A, B) on the swing clamp cylinder. Do not clamp workpiece while the clamp is swinging to avoid damaging on the cylinder barrel and internal parts.
- When increasing length of clamping arm is required, be sure do not exceed 1.5 times of the original length.
- The cylinder body is manufactured from aluminum alloy. Surface is hard membrane treated for maximum smoothness on inside surface and long service life.

相關規格 / Specification

氣缸內徑	Bore of cylinder	ø25 mm	ø32 mm	ø40 mm	ø50 mm	ø63 mm
活塞桿徑	Piston rod diameter	ø14 mm	ø16 mm	ø16 mm	ø20 mm	ø20 mm
轉角行程	Swing stroke	9 mm	11 mm	11 mm	13 mm	13 mm
垂直行程 標準/加長	Clamping stroke std/extension	13 mm	15 / 30 mm	15 / 30 mm	17 / 34 mm	17 / 34 mm
受壓面積 拉入/推出	Pressure area pull/push	3.37 / 4.91 cm ²	6.03 / 8.04 cm ²	10.56 / 12.57 cm ²	16.49 / 19.63 cm ²	28.03 / 31.17 cm ²
理論夾持力	Theoretical clamping force 6kg/cm ²	20	36	63	99	168
使用流體	Fluid	已濾清之壓縮空氣 / Filtered air				
最大操作壓力	Max operation pressure	10 Kg/cm ²				
操作壓力範圍	Operation pressure range	1-7 Kg/cm ²				
轉角方向	Rotating direction	順時針右轉R或逆時針左轉L / Turn right R or turn left L				
轉角角度	Rotating angle	標準角度 90 選擇角度 0°, 45°, 60° / Standard angle 90°, Optional angle 0°, 45°, 60°				
作動方式	Acting type	複動式 / Double acting				

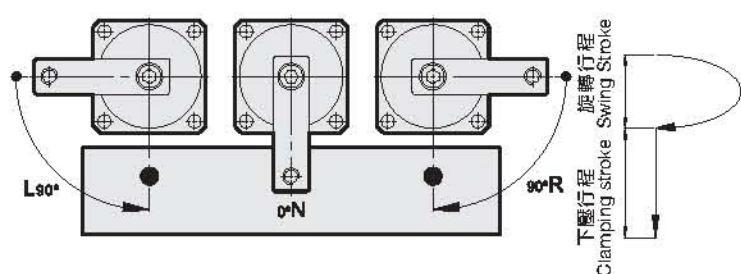
訂購標示法 / Order Code

ASC - MF 25 S R x 90 - E



1. 型式 / Model code:
 空白:配管式 Blank: Line type
 MF:深孔型附調速 MF: Manifold with flow control
 MS:感應型 MS: Magnetic type
 FA:法蘭型 FA: Flange type
 TB:全牙型 TB: Threaded body
2. 氣缸內徑 / Bore Size(mm): ø25, ø32, ø40, ø50, ø63
3. 壓板型式 / Clamping arm type:
 S:單邊壓板 Single side arm
 D:雙邊壓板 Double side arm
4. 轉角方向 / Rotating Direction
 R 順時針右轉 Turn right
 L 逆時針左轉 Turn left
 N: 0° 順時針右轉 0° No swing
5. 轉角角度 / Rotating Angle: 90:90°, 45:45°, 60:60°
6. 行程加長型 / Stroke extension Line type

單邊壓板旋轉示意圖 Single Side Swing Clamp



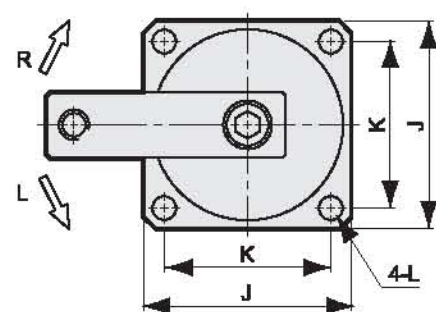
ASC空壓轉角缸

Air swing clamp cylinder

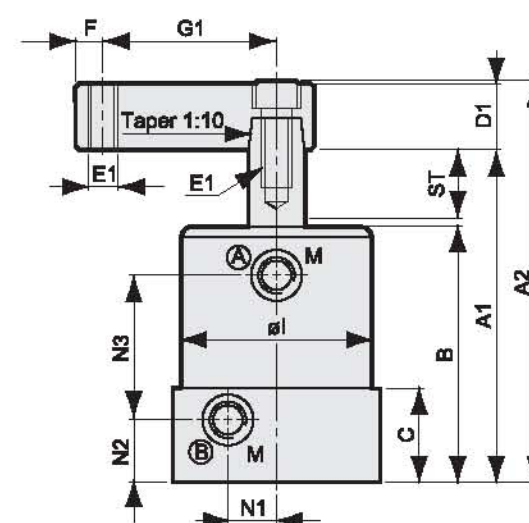
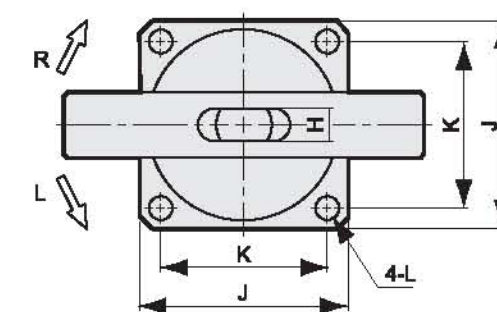


ASC Series

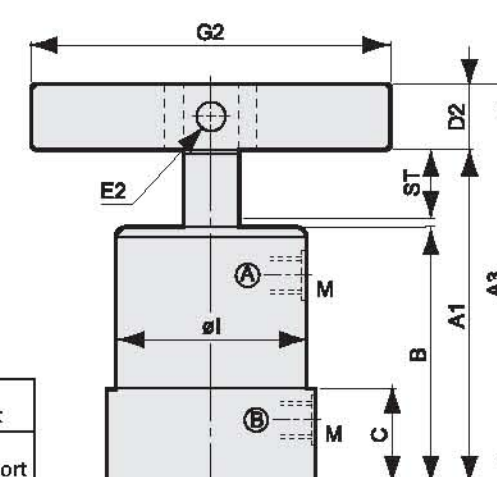
Single side swing clamp



Double side swing clamp



- (A) 夾持氣孔 Clamping Port
- (B) 放鬆氣孔 Unclamping Port



Unit : mm

Model	ST:Swing/clamping	A1	A2	A3	B	C	D1	D2	E1	E2
ASC-25	22 : 9/13	89	105.9	-	65	23	□15.9	-	M6 x1.0	-
ASC-32	26 : 11/15	108	128	127	78	28	□19	□19	M8 x1.25	ø8
	41 : 11/30	138	158	157	93					
ASC-40	26 : 11/15	108	128	127	78	28	□19	□19	M8 x1.25	ø8
	41 : 11/30	138	158	157	93					
ASC-50	30 : 13/17	124	150.4	146.2	90	28	□25.4	□22.2	M10 x1.5	ø8
	47 : 13/34	158	184.4	180.2	107					
ASC-63	30 : 13/17	124	150.4	146.2	90	28	□25.4	□22.2	M10 x1.5	ø8
	47 : 13/34	158	184.4	180.2	107					

Model	F	G1	G2	H	øl	J	K	L	M	N1	N2	N3
ASC-25	6	35	-	-	ø35	38	30	ø4.6	M5 x0.8	8	16.5	39.5
ASC-32	8	50	140	9	ø46	50	40	ø5.6	G1/8	11.5	19	45
												60
ASC-40	8	55	140	9	ø55	60	48	ø6.8	G1/8	14	19	45
												60
ASC-50	10	60	160	10	ø65	70	57	ø6.8	G1/8	17	21	54
												71
ASC-63	10	70	160	10	ø78	83	67	ø9	G1/8	20	21	54
												71