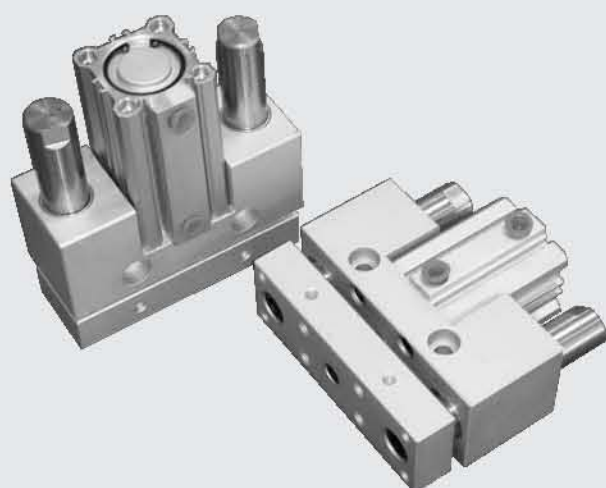


GSR型導桿薄型缸



GSR type compact guide cylinder



特性:

- 本產品雙導桿，間距寬，精度較高。
- 設計上氣缸和導桿成一直線，穩定性優良，導桿加粗，容許橫向荷重值大。
- 全系列內藏磁石，並可根據需求加感應。
- 特殊規格及附件請洽詢。

Features:

- The Cylinder and the Guide are designed as compact makes the air cylinder working more smoothly and high-strength and high-stiffness.
- All sensor type.
- The body and plate are reserved many holes and threads for mounting. It is suitable for various mounting requirement.
- Special order also request.

相關規格 / Specification

氣缸內徑	Bore size	20 mm	25 mm	32 mm	40 mm	50 mm	63 mm
使用壓力	Operating pressure	2~8 Kg/cm ²					
出入口尺寸	Port size	M5	M5	RC1/8"	RC1/8"	RC1/4"	RC1/4"
使用流體	Fluid	Air					
測試壓力	Proof range bar	10 kgf/cm ²					
溫度範圍	Temperature range	-0°C~70°C					
受壓面積	Mounting type	30~500mm/sec					

訂購標示法 / Order Code

GSR - 50 x 100 - 2

1

2

3

4

1. 型式 / Model code: GSR Type
2. 型號 / Style Code :
 “_” - 標準型 Standard type
 A1- 附1個感應器 With 1 Proximity Switch
 A2- 附2個感應器 With 2 Proximity Switch
3. 氣缸內徑 / Bore Size(mm)
4. 氣缸行程 / Stroke Length(mm)

氣缸行程表 / Dimensional Table

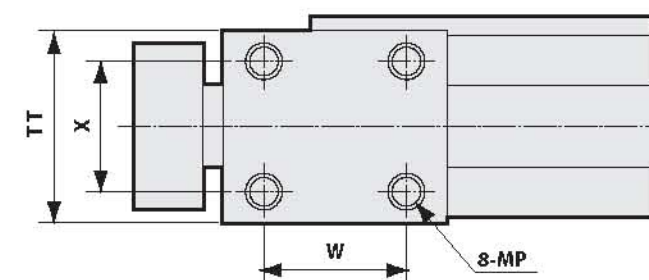
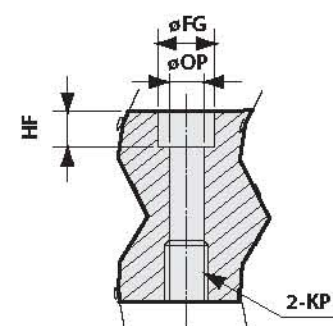
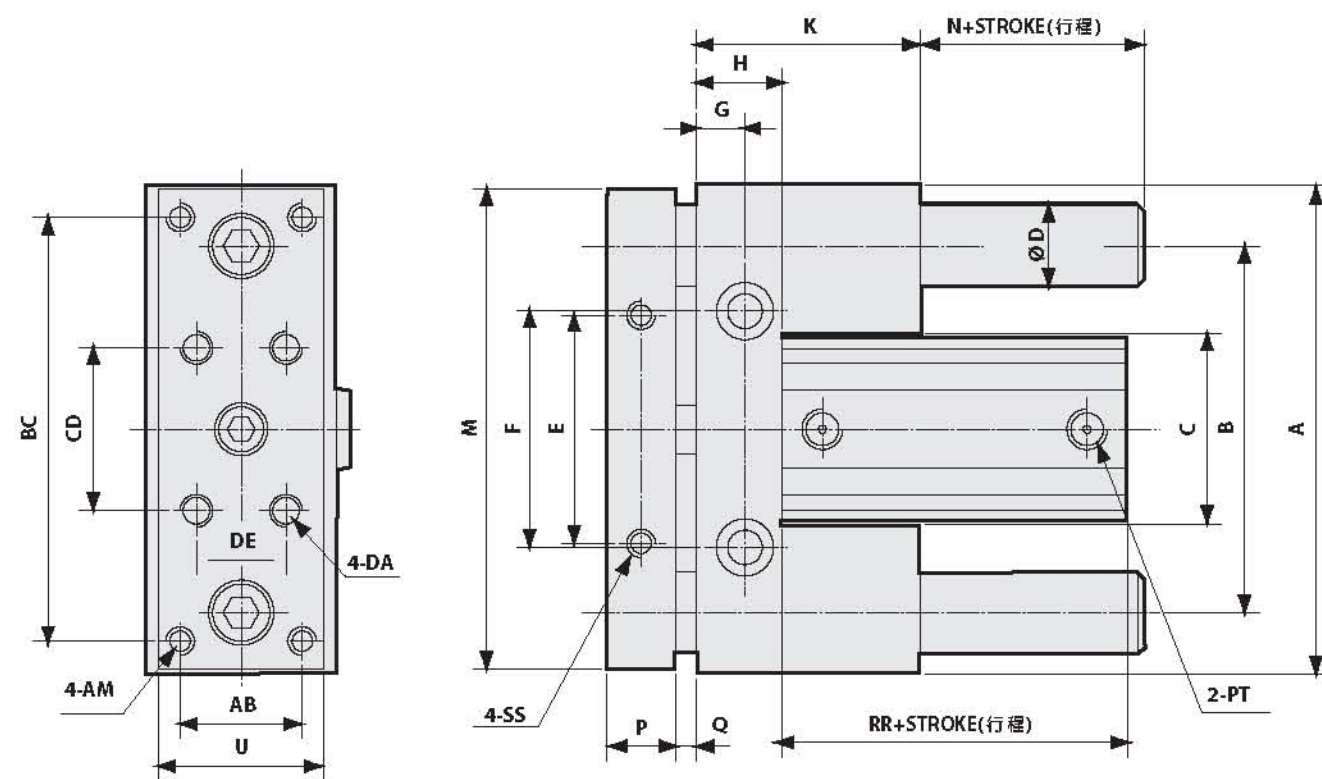
Unit : mm

Bore	標準行程 (mm) / Bore of Cylinder
ø20, ø25, ø32	10, 20, 30, 40, 50, 75, 100,
ø40, ø50, ø63	10, 20, 30, 40, 50, 75, 100, 125, 150

GSR型導桿薄型缸



GSR type compact guide cylinder



Unit : mm

Bore	A	B	C	øD	E	F	G	H	K	N	M	P	Q	RR	CD	DE	AB
ø32	122	92	47	20	56	58	12	21	55	5	120	17	5	35	40	22	30
ø40	128	98	54	20	64	64	13	21	58	5	126	17	5	36	40	32	32
ø50	160	123	66	25	80	80	17	26	70	5	154	17	5	38	44	44	44
ø63	170	136	80	25	88	92	20	30	75	5	166	17	5	45	46	58	46

Bore	BC	U	DA	HF	øFG	X	KP	TT	PT	MP	øOP	SS	W	AM
ø32	104	40.5	M8x1.25	9	14	32	M10x1.5	47	PT1/8"	M8x1.25	8.5	M6x1.0	35	M6x1.0
ø40	104	49	M8x1.25	9	14	40	M10x1.5	55	PT1/8"	M8x1.25	8.5	M6x1.0	38	M8x1.25
ø50	132	64	M8x1.25	11	18	48	M12x1.75	70	PT1/4"	M10x1.5	11	M6x1.0	50	M8x1.25
ø63	140	78	M8x1.25	11	18	60	M12x1.75	82	PT1/4"	M10x1.5	11	M6x1.0	55	M8x1.25